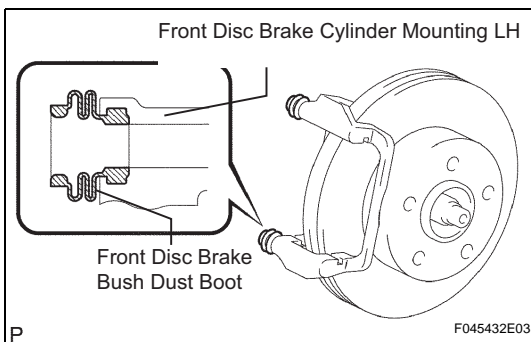
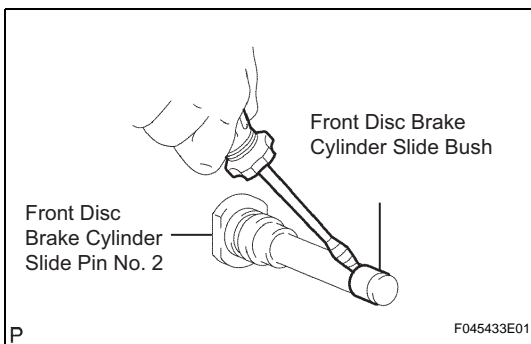
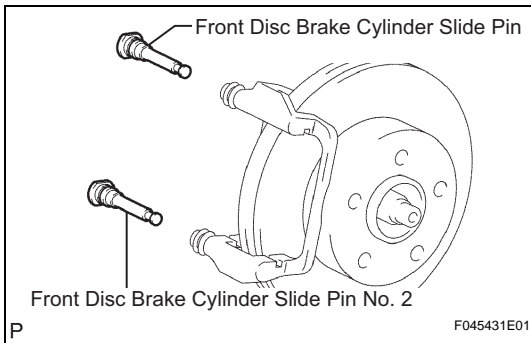


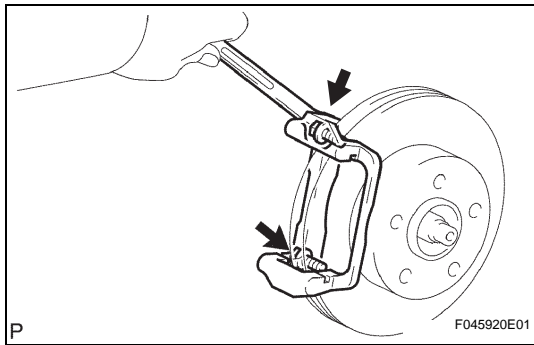
DISASSEMBLY

1. **REMOVE DISC BRAKE PAD KIT FRONT (PAD ONLY)**
 - (a) Remove the 2 brake pads w/ anti squeal shim from the cylinder mounting LH.
2. **REMOVE ANTI SQUEAL SHIM KIT FRONT**
 - (a) Remove the 2 anti squeal shims from each pads.
 - (b) Using a screwdriver, remove the pad wear indicator from the inner pad.
3. **REMOVE FRONT DISC BRAKE PAD SUPPORT PLATE**
 - (a) Remove the front disc brake pad support plate (No. 1) and the front disc brake pad support plate (No. 2) from the front disc brake cylinder mounting LH.
4. **REMOVE FRONT DISC BRAKE CYLINDER SLIDE PIN**
 - (a) Remove the front disc brake cylinder slide pin from the front disc brake cylinder mounting LH.
 - (b) Remove the front disc brake cylinder slide pin (No. 2) from the front disc brake cylinder mounting LH.



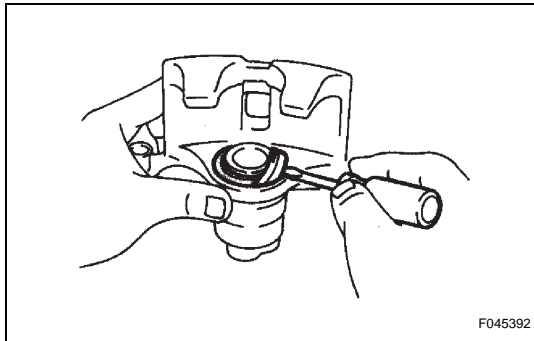
5. **REMOVE FRONT DISC BRAKE CYLINDER SLIDE BUSH**
 - (a) Remove the front disc brake cylinder slide bush from the front disc brake cylinder slide pin No. 2.

NOTICE:
Do not damage the front disc brake cylinder slide pin No. 2.
6. **REMOVE FRONT DISC BRAKE BUSH DUST BOOT**
 - (a) Remove the 2 front disc brake cylinder bush dust boots from the front disc brake cylinder mounting LH.



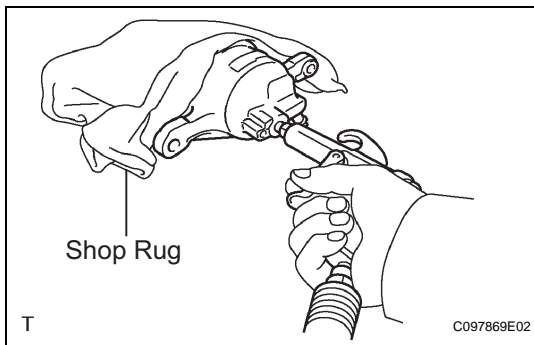
7. REMOVE FRONT DISC BRAKE CYLINDER MOUNTING LH

- (a) Remove the 2 bolts and the front disc brake cylinder mounting LH.



8. REMOVE CYLINDER BOOT

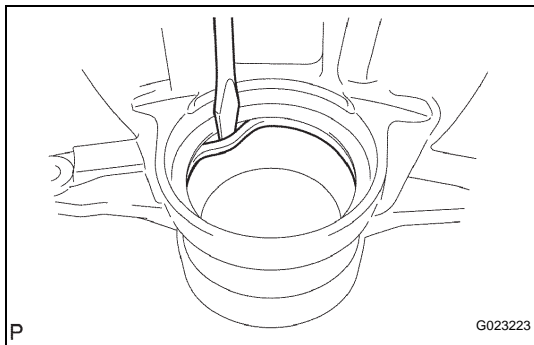
- (a) Using a screwdriver, remove the cylinder boot.
NOTICE:
 Do not damage the inner cylinder and cylinder groove.



9. REMOVE FRONT DISC BRAKE PISTON

- (a) Place a shop rug between the brake piston and the disc brake cylinder sub-assembly.
 (b) Use compressed air to remove the brake piston from the disc brake cylinder sub-assembly.

CAUTION:
 Do not place your fingers in front of the brake piston when using compressed air.
NOTICE:
 Do not spatter the brake fluid.



10. REMOVE PISTON SEAL

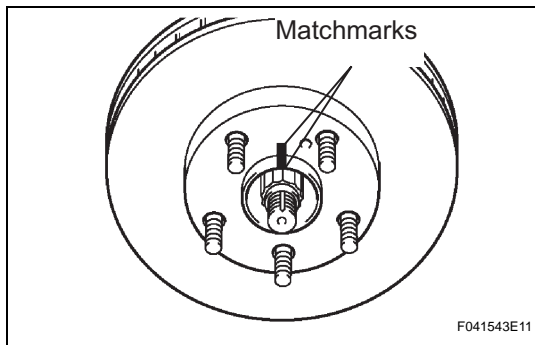
- (a) Using a screwdriver, remove the piston seal.
NOTICE:
 Do not damage the inner cylinder and cylinder groove.

11. REMOVE FRONT DISC BRAKE BLEEDER PLUG CAP

- (a) Remove the bleeder plug cap to the front disc brake bleeder plug.

12. REMOVE FRONT DISC BRAKE BLEEDER PLUG

- (a) Remove the front disc brake bleeder plug from the disc brake cylinder sub-assembly.

**13. REMOVE FRONT DISC**

- (a) Put matchmarks on the front disc and the axle hub.
- (b) Remove the front disc.