

DTC	P1616	Communication Error from ECM to Distance Control ECU
------------	--------------	---

DTC	U0100	Lost Communication with ECM/PCM "A"
------------	--------------	--

DESCRIPTION

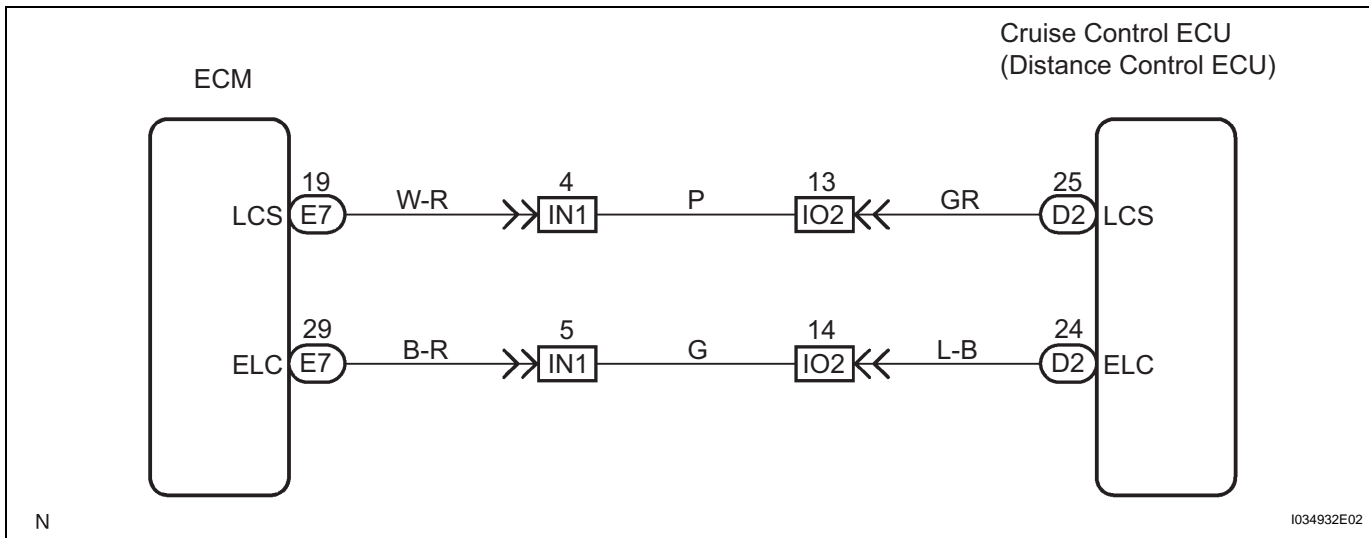
The ECM and cruise control ECU (distance control ECU) transmit the data for vehicle general control and diagnosis function along the communication line.

The ECM transmits the current speed / stored speed and steering angle signal from the ABS traction actuator assembly (skid control ECU) to the cruise control ECU (distance control ECU).

This sit is detected when the cruise control ECU (distance control ECU) responds to the ECM to inform that the information sent from the cruise control ECU (distance control ECU) to ECM has problem.

DTC No.	DTC Detection Condition	Trouble Area
P1616/62	The malfunction code is output when the ECM detects a communication error signal between the ECM and cruise control ECU (distance control ECU) for 0.15 sec. or more.	<ul style="list-style-type: none"> • Communication circuit • ECM • Cruise control ECU (Distance control ECU)

CC WIRING DIAGRAM



1 CHECK WIRE HARNESS AND CONNECTOR (ECM - DISTANCE CONTROL ECU)

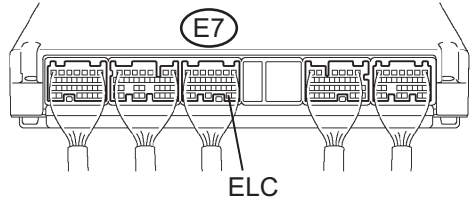
- (a) Check for an open or short circuit in harness and connector between the ECM an distance control ECU (See page [IN-36](#)).

NG → **REPAIR OR REPLACE WIRE HARNESS OR CONNECTOR**

OK

2 INSPECT ECM

ECM Wire Harness View:



0

I034219E06

- (a) Remove the ECM with the connector.
- (b) Turn the ignition switch to the ON position.

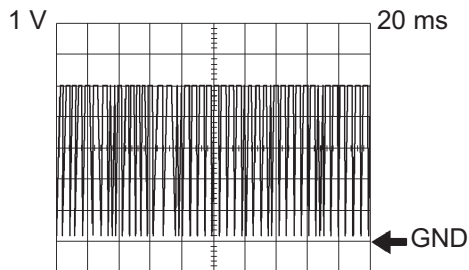
- (c) Check the signal waveform between terminal ELC (E7-29) of the ECM and body ground.

Standard:

Waveform similar to that in the illustration to the left is output.

HINT:

- Gauge set: 1 V/DIV, 20 ms./DIV
- Condition: Ignition switch ON



T

I034899E02

NG → **REPLACE ECM**

CC

OK

REPLACE CRUISE CONTROL ECU ASSEMBLY