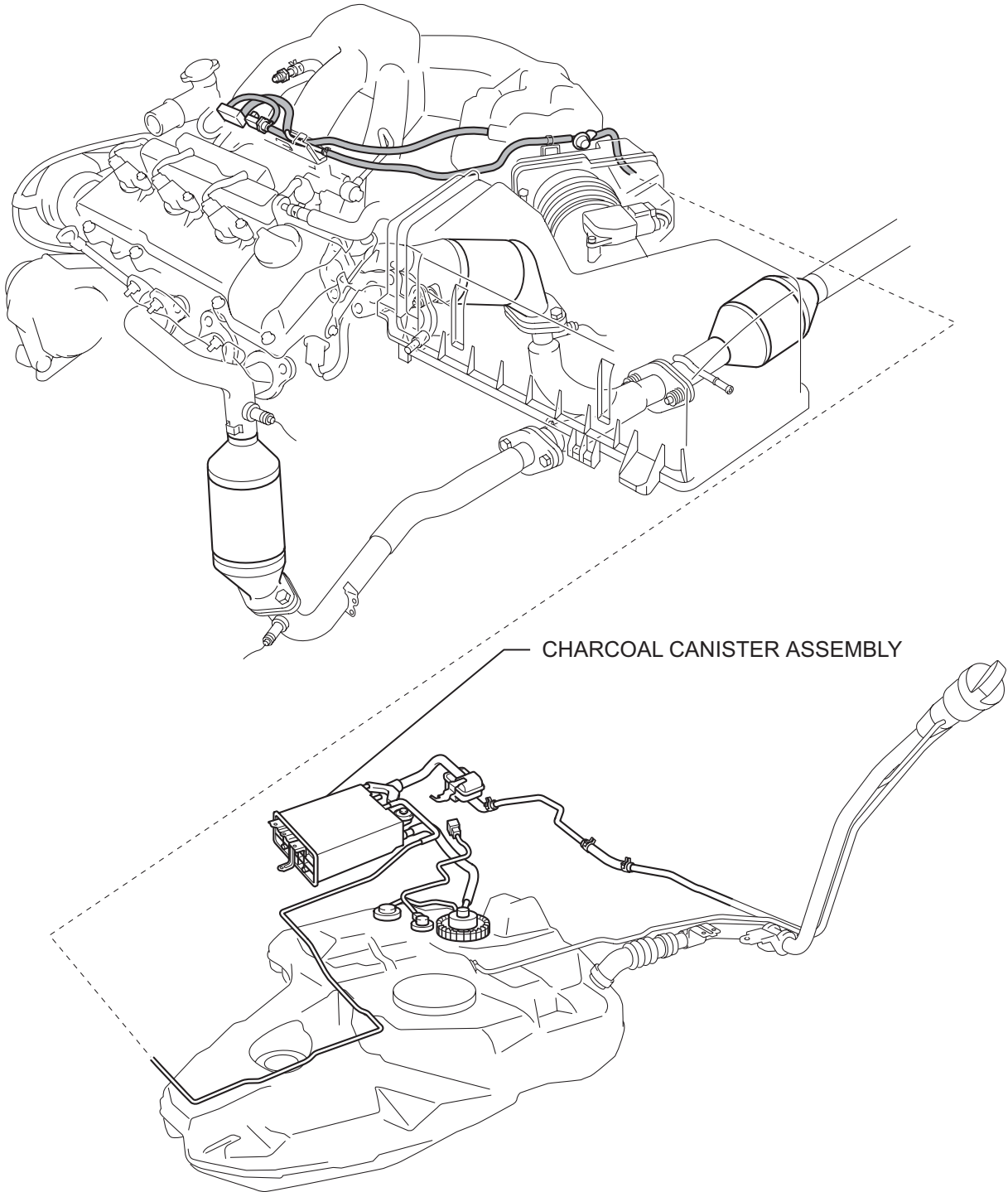
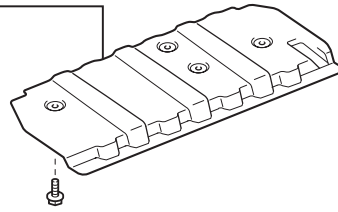


CANISTER COMPONENTS

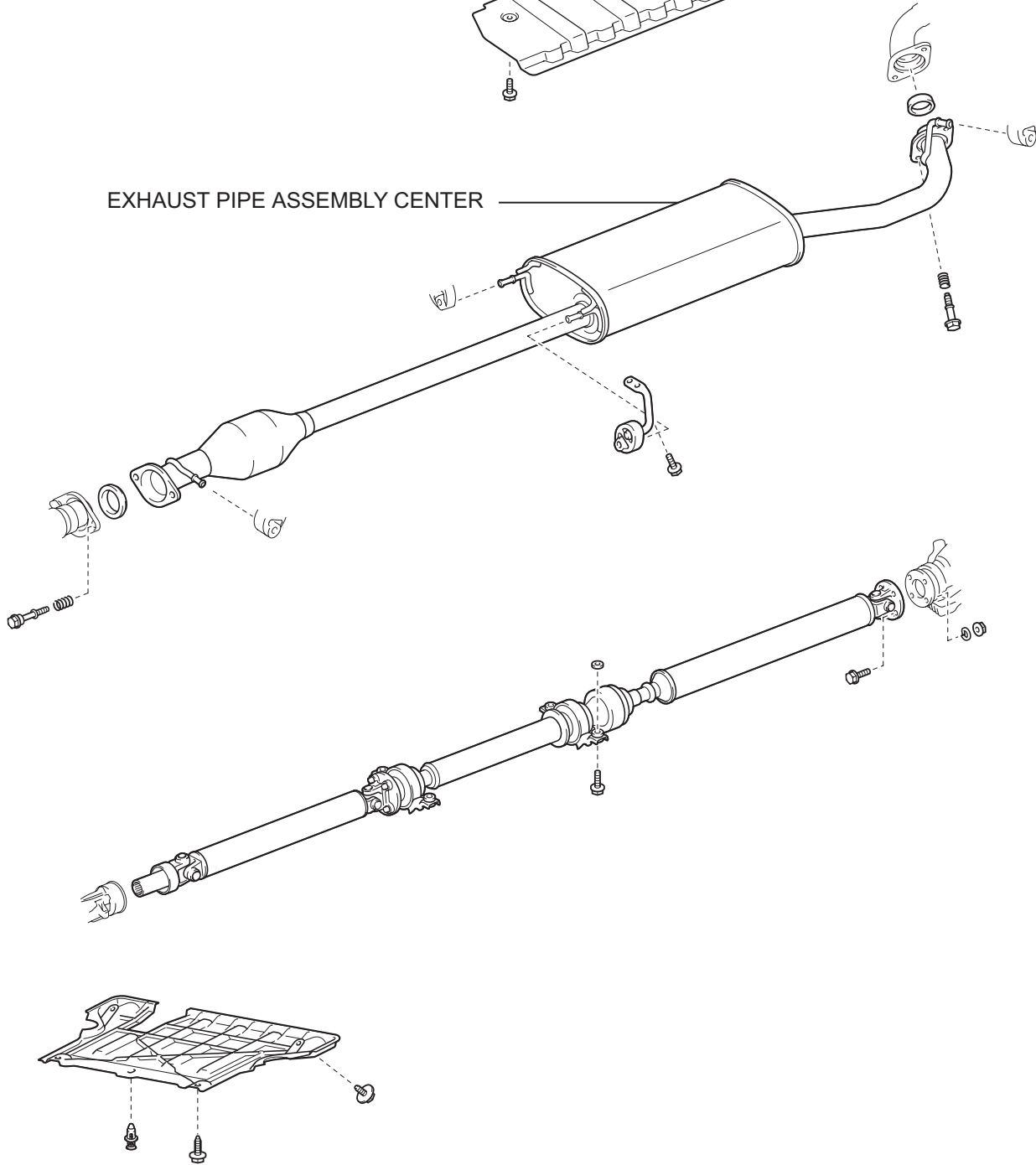


EC

FRONT FLOOR HEAT INSULATOR NO.3



EXHAUST PIPE ASSEMBLY CENTER



EC