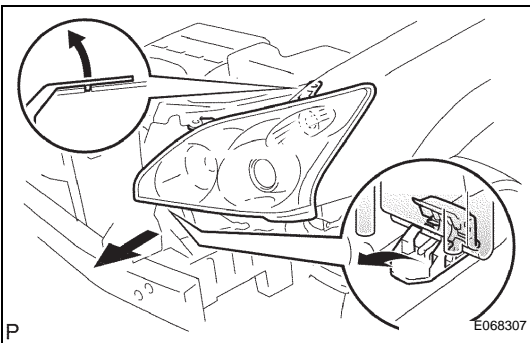
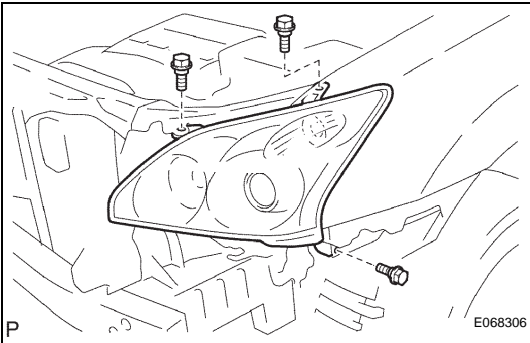
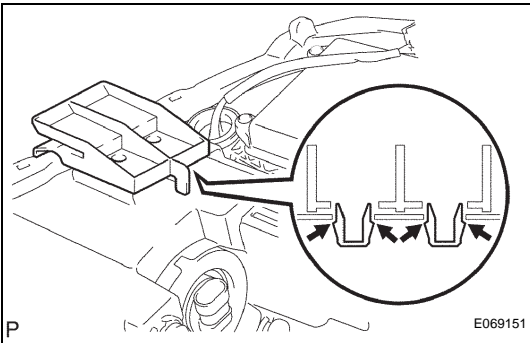


REMOVAL

1. REMOVE ENGINE UNDER COVER NO.1 (See page [ET-2](#))
2. REMOVE FRONT FENDER SPLASH SHIELD SUB-ASSEMBLY LH (See page [ET-2](#))
3. REMOVE FRONT FENDER SPLASH SHIELD SUB-ASSEMBLY RH (See page [ET-2](#))
4. REMOVE FRONT BUMPER COVER (See page [ET-2](#))
5. REMOVE LH HEADLIGHT ASSEMBLY
 - (a) Remove the 3 screws.



- (b) Pull out the LH headlight assembly forward, then release the headlight bracket.
- (c) Disconnect the connectors and remove the LH headlight assembly.

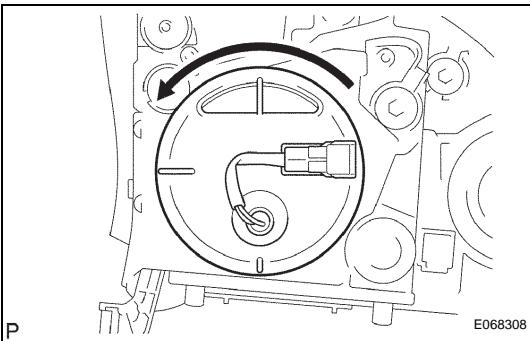


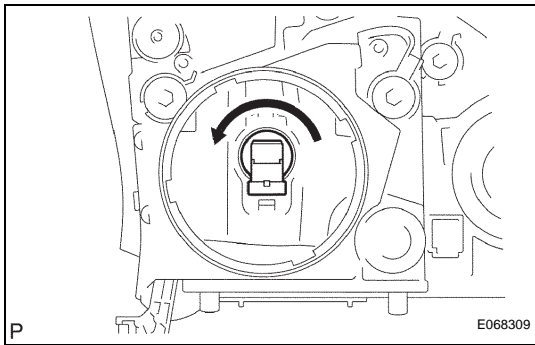
- (d) Using a needle nose plier, release the 2 claw fittings and remove the front bumper side support No. 2 from the LH headlight assembly.

6. REMOVE FRONT BUMPER SIDE SUPPORT NO.2 LH

DISASSEMBLY

1. REMOVE HEADLIGHT SOCKET COVER
 - (a) Disconnect the headlight socket cover as shown in the illustration.
 - (b) Remove the headlight socket cover from the headlight cord.

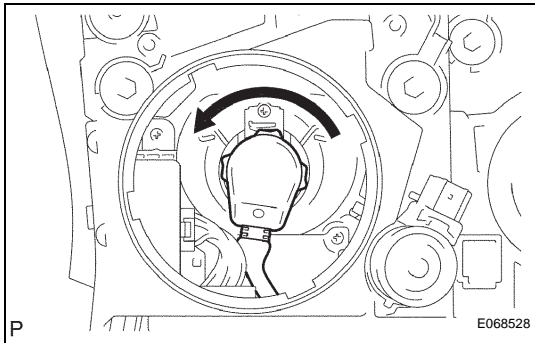




2. REMOVE HEADLIGHT, NO.1 BULB

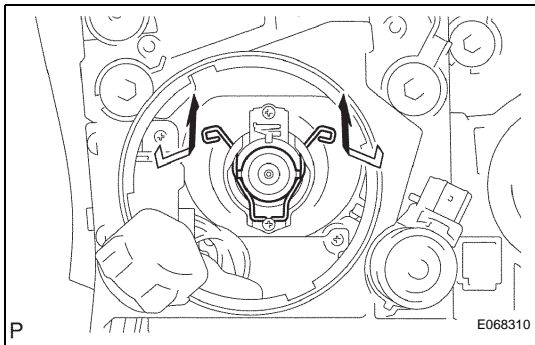
(a) Halogen headlight:

Remove the headlight, No. 1 bulb as shown in the illustration.



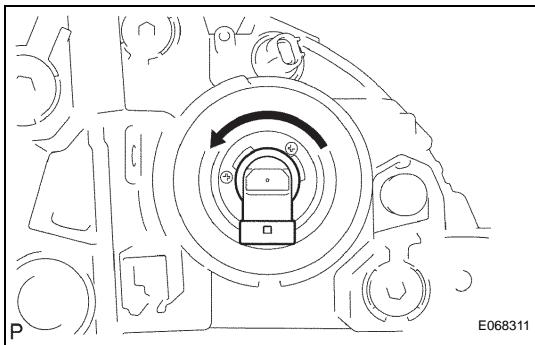
(b) Discharge headlight:

Remove the headlight, No. 1 bulb as shown in the illustration.



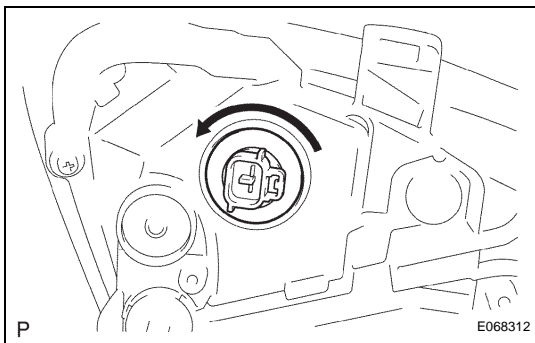
(c) Discharge headlight:

Release the lock of the set spring and remove the headlight, No. 1 bulb.



3. REMOVE HEADLIGHT, NO.2 BULB

(a) Remove the headlight, No. 2 bulb as shown in the illustration.



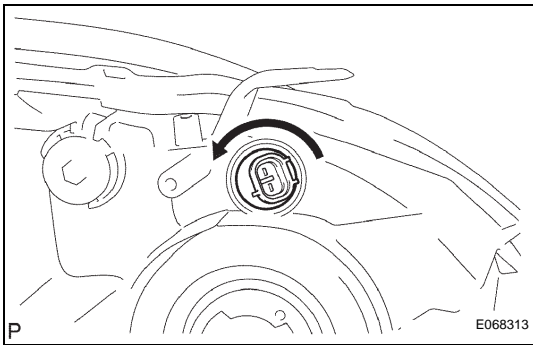
4. REMOVE FRONT TURN SIGNAL LIGHT BULB

(a) Remove the front turn signal light bulb, the front turn signal light socket as shown in the illustration.

(b) Remove the turn signal light bulb from the front turn signal light socket.

5. REMOVE FRONT TURN SIGNAL LIGHT SOCKET





6. **REMOVE FRONT SIDE MAKER LIGHT BULB**
 - (a) Remove the front side marker light bulb, the socket as shown in the illustration.
 - (b) Remove the front side marker light bulb from the socket.

7. **REMOVE CLEARANCE LIGHT SOCKET & WIRE**

- (a) w/ Halogen Head Light:
 - (1) Remove the clearance light socket and wire.

8. **REMOVE CLEARANCE LIGHT SOCKET (w/ HID)**

9. **REMOVE CLEARANCE LIGHT SOCKET & WIRE**

- (a) w/ Discharge and AFS Head Light:
 - (1) Remove the clearance light socket and wire.

10. **REMOVE HEADLIGHT COVER NO.1 (w/ HID)**

- (a) Remove the 4 screws and the headlight cover No. 1.

11. **REMOVE HEADLIGHT COVER NO.1**

HINT:

Following the same procedure as for the headlight cover No. 1 (discharge head light).

- (a) w/ Discharge and AFS Head Light:
 - (1) Remove the headlight cover No. 1.

12. **REMOVE HEADLIGHT GASKET (w/ HID)**

13. **REMOVE HEADLIGHT GASKET**

- (a) w/ Discharge and AFS Head Light:
 - (1) Remove the headlight gasket.

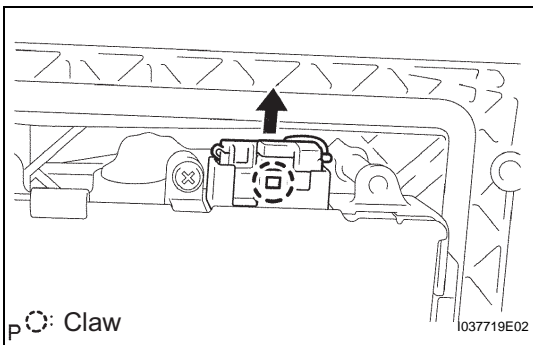
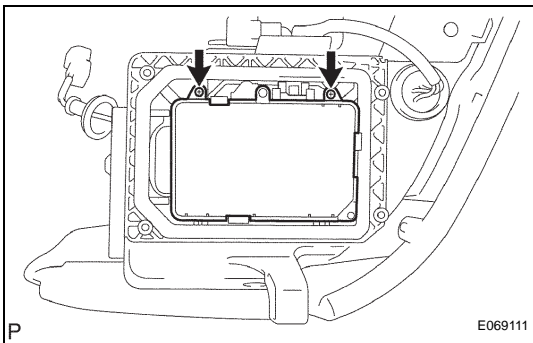
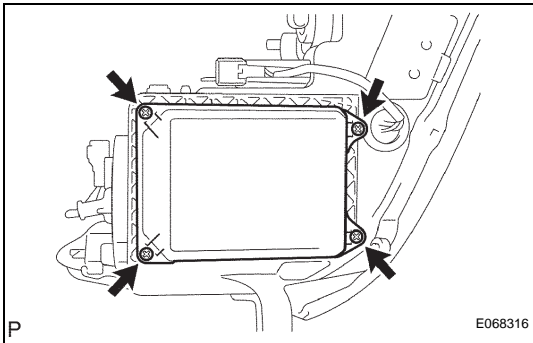
14. **REMOVE SUB-ASSEMBLY HEADLIGHT LIGHT CONTROL ECU RH (w/ HID)**

- (a) Remove the 2 screws and disconnect the sub-assembly headlight light control ECU RH.

- (b) Release the claw fitting, disconnect the connector and remove the sub-assembly headlight control ECU RH.

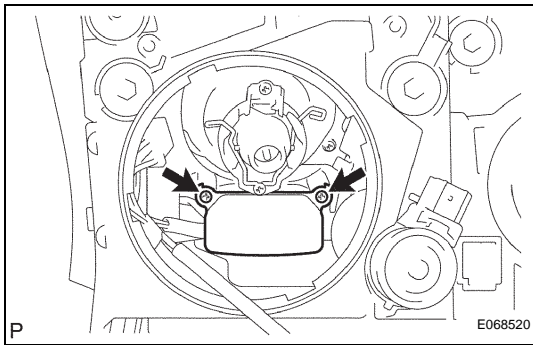
15. **REMOVE SUB-ASSEMBLY HEADLIGHT LIGHT CONTROL ECU RH**

- (a) w/ Discharge and AFS Head Light:
 - (1) Remove the sub-assembly headlight light control ECU RH.

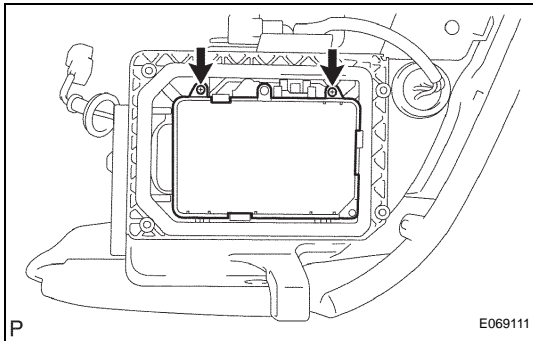


P  Claw

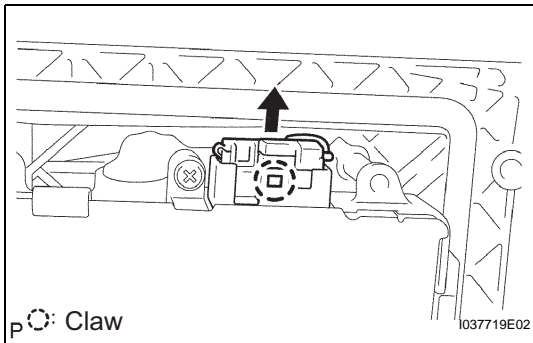
I037719E02



(b) Remove the 2 screws and the cover.



(c) Remove the 2 screws and disconnect the sub-assembly headlight control ECU RH.



(d) Release the claw fitting, disconnect the connector and remove the sub-assembly headlight control ECU RH.

(e) Remove the sub-assembly headlight light control ECU RH from the cover.

16. REMOVE HEADLIGHT LENS RH

(a) w/ Discharge and AFS Head Light:
(1) Remove the headlight lens RH.

17. REMOVE HEADLIGHT CORD (w/ HID)

18. REMOVE HEADLIGHT CORD

(a) w/ Discharge and AFS Head Light:
(1) Remove the headlight cord.

19. REMOVE HEADLIGHT LEVELING MOTOR LH (w/ HID)

(a) Remove the headlight leveling motor LH as shown in the illustration.

20. REMOVE HEADLIGHT LEVELING MOTOR LH

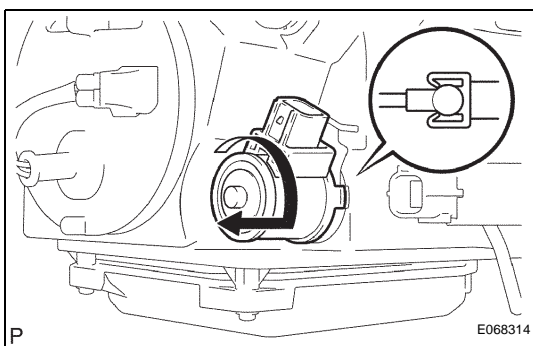
HINT:
Following the same procedure as for the headlight leveling motor LH (discharge head light).

(a) w/ Discharge and AFS Head Light:
(1) Remove the headlight leveling motor LH.

21. REMOVE HEADLIGHT LEVELING MOTOR BASE PACKING (w/ HID)

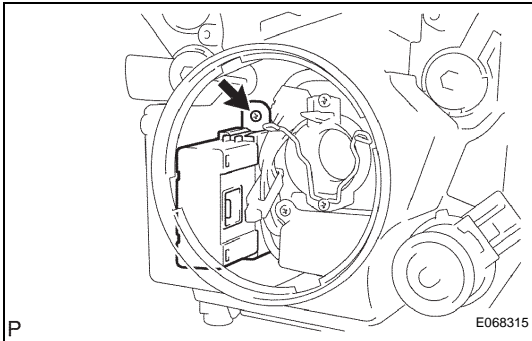
22. REMOVE HEADLIGHT LEVELING MOTOR BASE PACKING

(a) w/ Discharge and AFS Head Light:
(1) Remove the headlight leveling motor base packing.

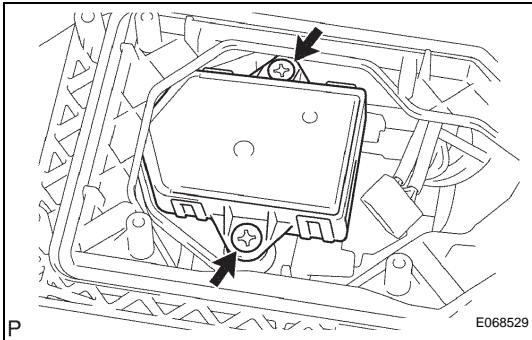


23. REMOVE HEADLIGHT SWIVEL ECU SUB-ASSEMBLY LH

- (a) w/ Discharge and AFS Head Light:
 - (1) Remove the headlight swivel ECU sub-assembly LH.
- (b) Disconnect the connector.
- (c) Remove the screw and the headlight swivel ECU sub-assembly LH.

**24. REMOVE LIGHT REFLECTOR MOTOR LH**

- (a) w/ Discharge and AFS Head Light:
 - (1) Remove the light reflector motor LH.



- (b) Disconnect the connector.
- (c) Remove the 2 screws and the light reflector motor LH.

25. REMOVE HEADLIGHT UNIT LH

- (a) w/ Halogen Head Light:
 - (1) Remove the headlight unit LH.

26. REMOVE HEADLIGHT UNIT LH (w/ HID)**27. REMOVE HEADLIGHT UNIT LH**

- (a) w/ Discharge and AFS Head Light:
 - (1) Remove the headlight unit LH.