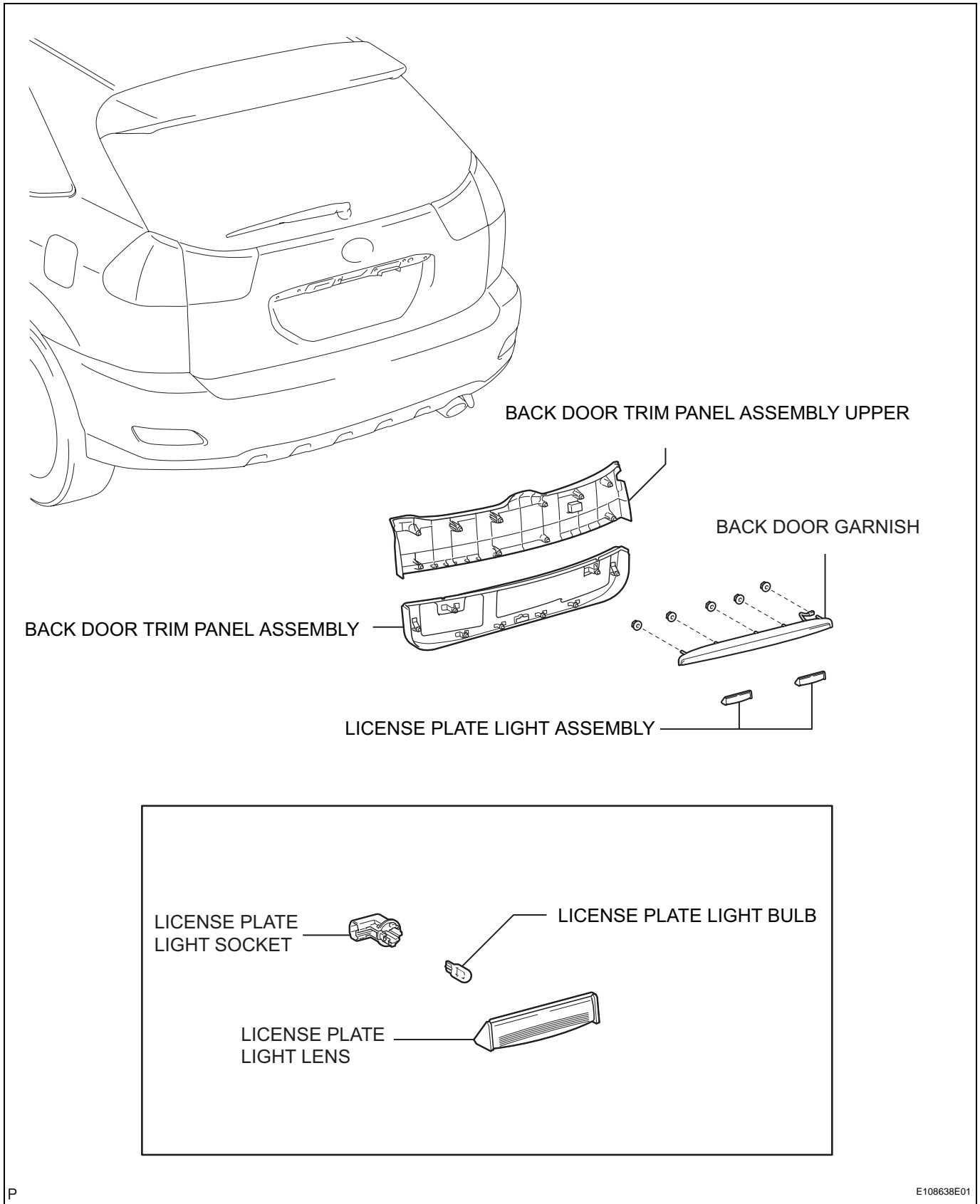


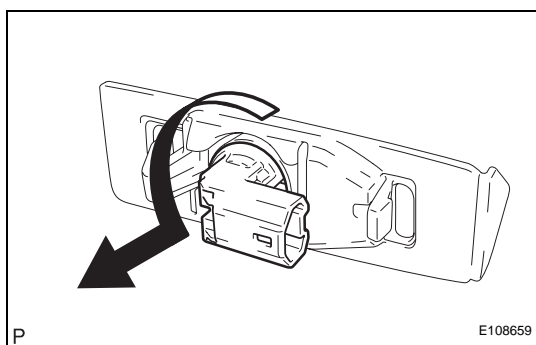
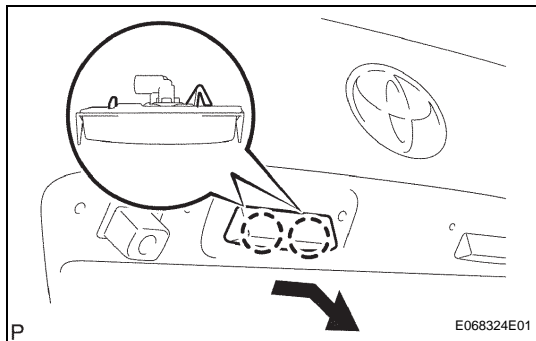
LICENSE PLATE LIGHT ASSEMBLY

COMPONENTS



REMOVAL

1. REMOVE BACK DOOR TRIM PANEL ASSEMBLY UPPER (See page [ED-124](#))
2. REMOVE BACK DOOR TRIM PANEL ASSEMBLY (See page [ED-125](#))
3. REMOVE BACK DOOR GARNISH (See page [ET-35](#))
4. REMOVE LICENSE PLATE LIGHT ASSEMBLY
 - (a) Disengage the 2 claws and separate the license plate light assembly.
 - (b) Disconnect the connector and remove the license plate light assembly.



DISASSEMBLY

1. REMOVE LICENSE PLATE LIGHT BULB
 - (a) Turn in the direction indicated by the arrow and remove the license plate light bulb and the license plate light socket as a unit.
 - (b) Remove the license plate light bulb from the license plate light socket.