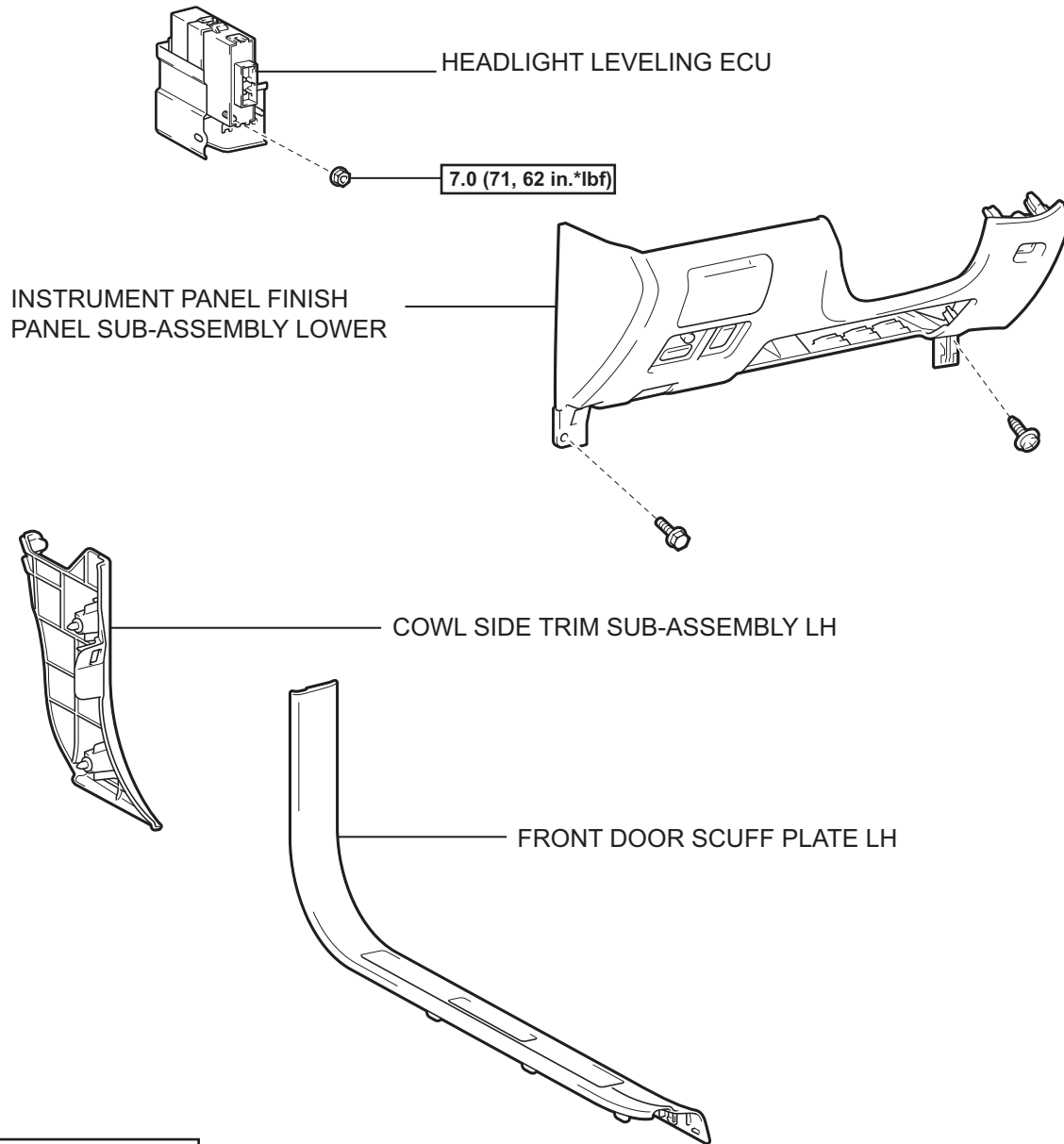


# HEADLIGHT LEVELING ECU

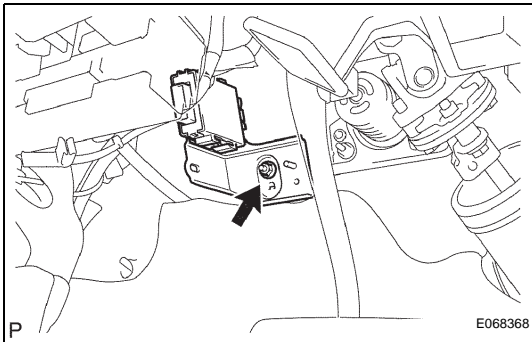
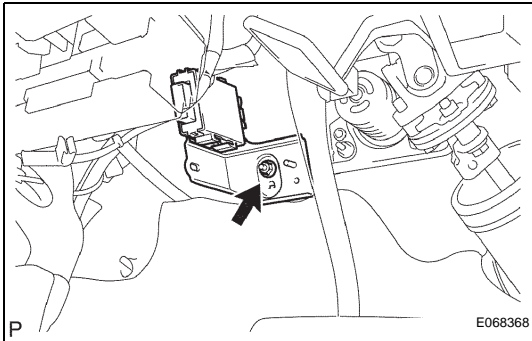
## COMPONENTS



N\*m (kgf\*cm, ft.\*lbf) : Specified torque

## REMOVAL

1. **DISCONNECT CABLE FROM NEGATIVE BATTERY TERMINAL**  
HINT:  
(See page [RS-1](#))
2. **REMOVE FRONT DOOR SCUFF PLATE LH** (See page [IR-6](#))
3. **REMOVE COWL SIDE TRIM SUB-ASSEMBLY LH** (See page [IP-12](#))
4. **REMOVE INSTRUMENT PANEL FINISH PANEL SUB-ASSEMBLY LOWER** (See page [IP-12](#))
5. **REMOVE HEADLIGHT LEVELING ECU**
  - (a) Disconnect the connector.
  - (b) Remove the nut and the headlight leveling ECU assembly.



## INSTALLATION

1. **INSTALL HEADLIGHT LEVELING ECU**
  - (a) Install the headlight leveling ECU with the nut.  
**Torque: 7.0 N\*m (71 kgf\*cm, 62 in.\*lbf)**
  - (b) Connect the connector.
2. **INSTALL INSTRUMENT PANEL FINISH PANEL SUB-ASSEMBLY LOWER** (See page [IP-29](#))
3. **INSTALL COWL SIDE TRIM SUB-ASSEMBLY LH** (See page [IP-29](#))
4. **INSTALL FRONT DOOR SCUFF PLATE LH**
5. **CONNECT CABLE FROM NEGATIVE BATTERY TERMINAL**
6. **PERFORM INITIALIZATION**