

# TAILLIGHT RELAY

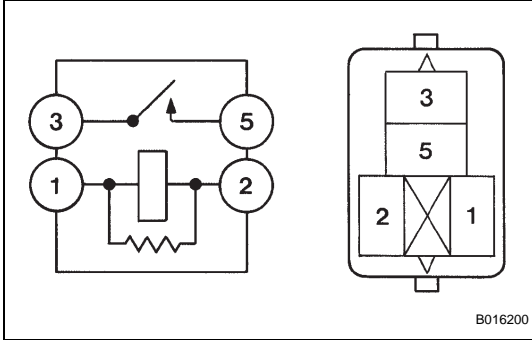
## ON-VEHICLE INSPECTION

### 1. INSPECT TAILLIGHT RELAY

- (a) Remove the taillight relay
- (b) Measure the resistance according to the value(s) in the table below.

**Resistance**

Tester Connection	Condition	Specified Condition
3 - 5	Always	10 kΩ or higher
3 - 5	When battery voltage is applied to terminal 1-2	Below 1 Ω



If the result is not as specified, replace the taillight relay.

