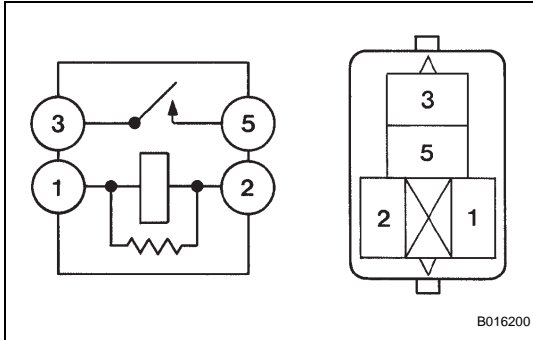


FOG LIGHT RELAY

ON-VEHICLE INSPECTION

1. INSPECT FOG LIGHT RELAY

- (a) Remove the fog light relay
- (b) Measure the resistance according to the value(s) in the table below.



Resistance

Tester Connection	Condition	Specified Condition
3 - 5	Always	10 k Ω or higher
3 - 5	When battery voltage is applied to terminal 1-2	Below 1 Ω

If the result is not as specified, replace the fog light relay.