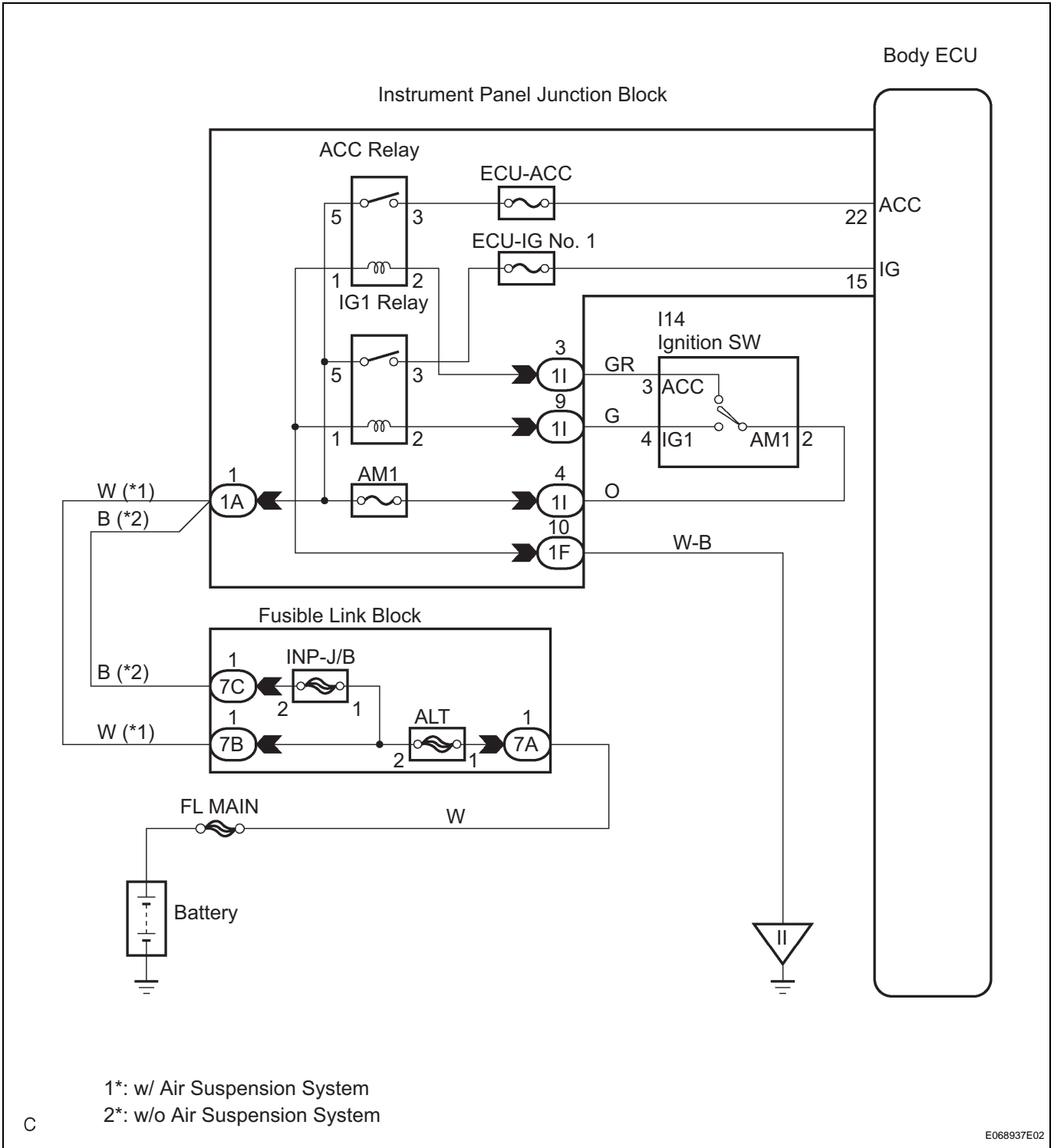


Ignition Switch Circuit

DESCRIPTION

This circuit detects the state of the ignition switch and sends it to the body ECU.

WIRING DIAGRAM



1 READ VALUE OF INTELLIGENT TESTER

- (a) Connect the intelligent tester to the DLC3.
- (b) Turn the ignition switch to the ON position and press the intelligent tester main switch ON.
- (c) Select the items below in the DATA LIST, and read the displays on the intelligent tester.

BODY:

Item	Measurement Item/ Display (Range)	Normal Condition	Diagnostic Note
ACC SW	ACC SW signal/ON or OFF	ON: Ignition key is in ACC, ON or START position OFF: Ignition key is in OFF position	-
IG SW	IG SW signal/ON or OFF	ON: Ignition key is in ON or START position OFF: Ignition key is in OFF or ACC position	-

NG → **Go to step 2**

OK

PROCEED TO NEXT CIRCUIT INSPECTION SHOWN IN PROBLEM SYMPTOMS TABLE

2 INSPECT FUSE

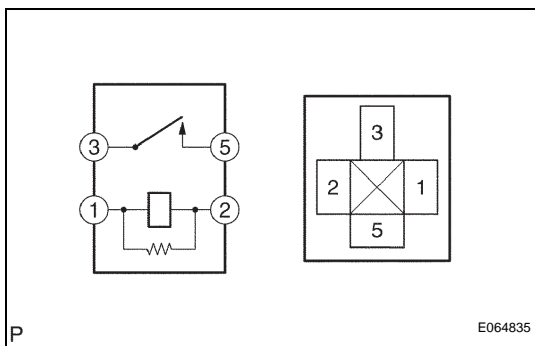
- (a) Inspect the ECU-ACC fuse, ECU-IG No.1 fuse and AM1 fuse in the instrument panel junction block assembly.

Resistance:
Below 1 Ω

NG → **REPLACE FUSE**

OK

3 INSPECT RELAY

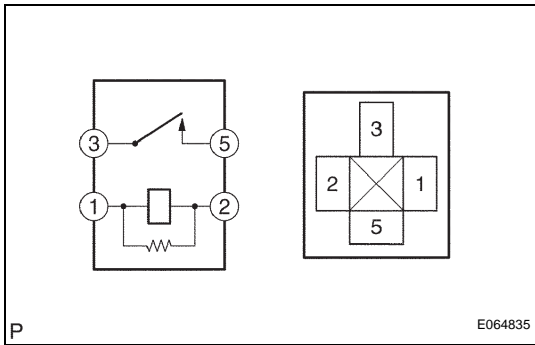


- (a) Inspect ACC relay continuity.
 - (1) Remove the ACC relay from the instrument panel J/B.
 - (2) Measure the resistance according to the value(s) in the table below.

Resistance

Tester connection	Condition	Specified resistance
3 - 5	Always	10 kΩ or higher

Tester connection	Condition	Specified resistance
3 - 5	Apply B+ between the terminal 1 and 2	Below 1 Ω



- (b) Inspect IG1 relay continuity.
- (1) Remove the IG1 relay from the instrument panel J/ B.
 - (2) Measure the resistance according to the value(s) in the table below.

Resistance

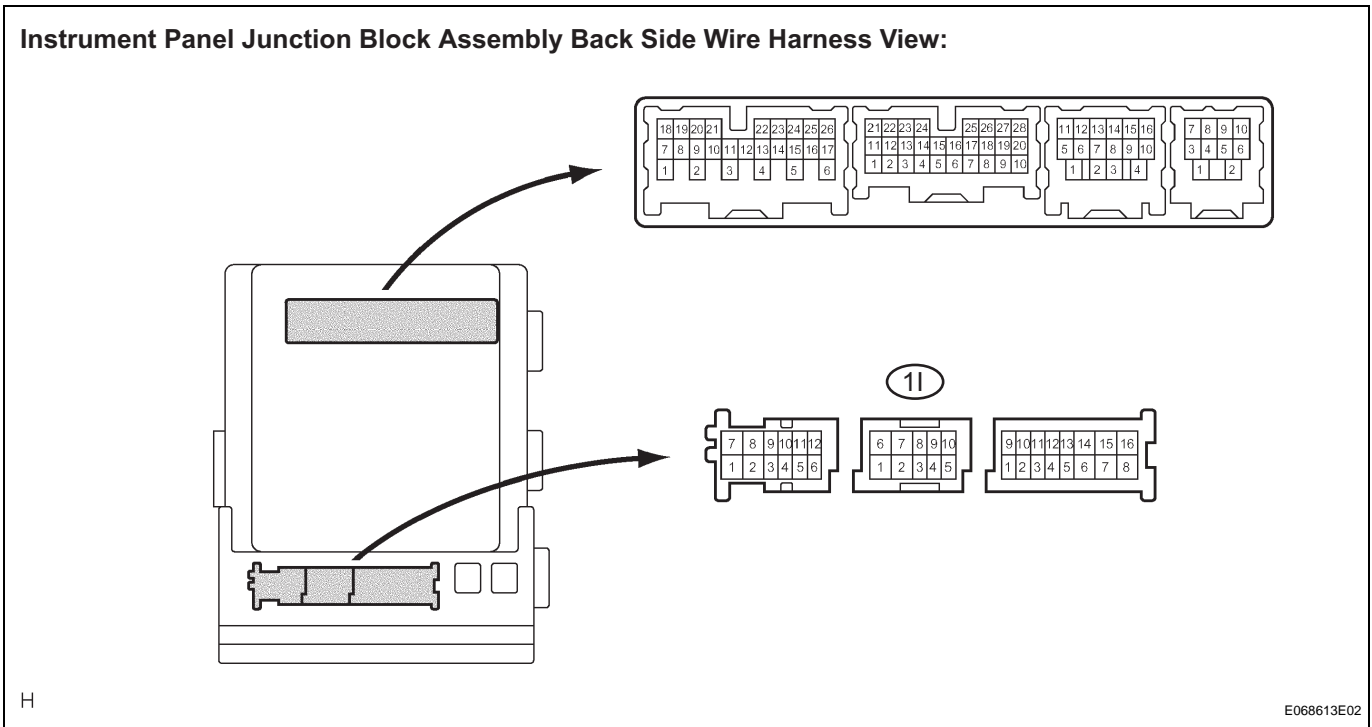
Tester connection	Condition	Specified resistance
3 - 5	Always	10 kΩ or higher
3 - 5	Apply B+ between the terminal 1 and 2	Below 1 Ω

NG → REPLACE RELAY

OK

4 INSPECT INSTRUMENT PANEL JUNCTION BLOCK ASSEMBLY (ACC, IG)

- (a) Measure the voltage according to the value(s) in the table below.



Voltage

Tester connection	Condition	Specified condition
11-3 - Body ground	Ignition switch is OFF → ACC, ON	Below 1 V → 10 to 14 V
11-9 - Body ground	Ignition switch is OFF → ON	Below 1 V → 10 to 14 V

NG

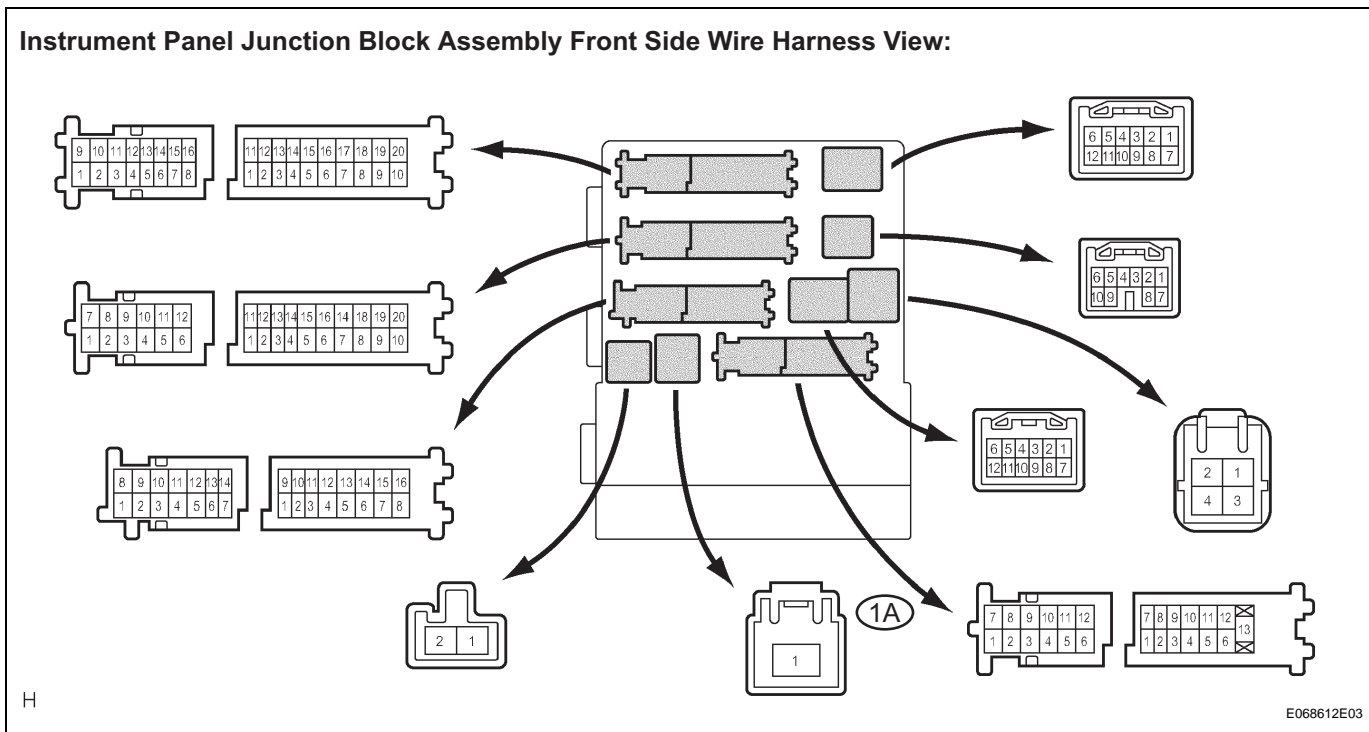
Go to step 5

OK

PROCEED TO NEXT CIRCUIT INSPECTION SHOWN IN PROBLEM SYMPTOMS TABLE

5 INSPECT JUNCTION BLOCK NO.2 (POWER SOURCE CIRCUIT)

(a) Measure the voltage according to the value(s) in the table below.



Voltage

Tester connection	Tester connection Condition	Specified condition
1A-1 - Body ground	Always	10 to 14 V

NG

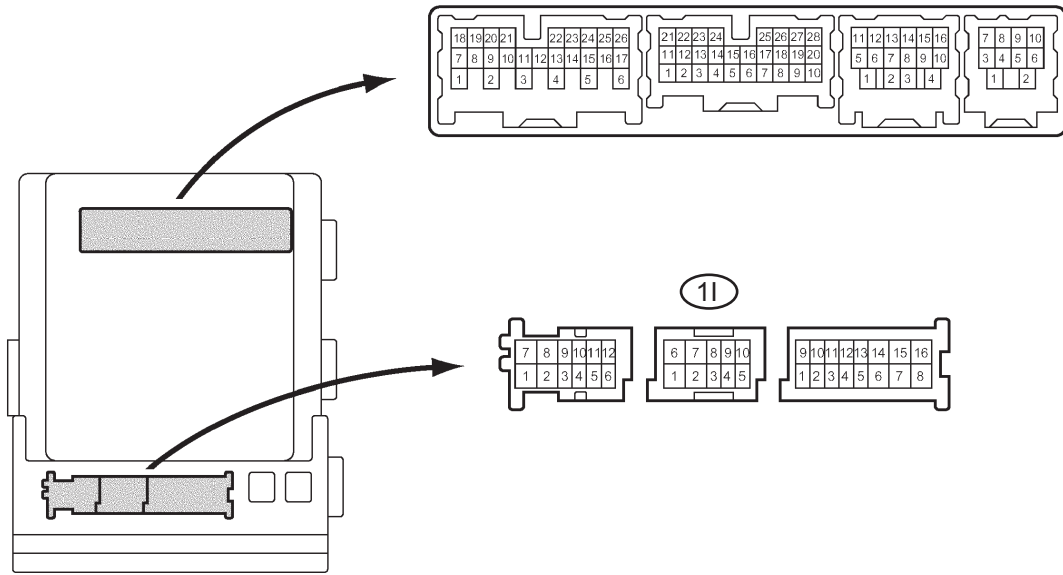
REPAIR OR REPLACE HARNESS OR CONNECTOR (BATTERY - INSTRUMENT PANEL JUNCTION BLOCK ASSEMBLY)

OK

6 INSPECT INSTRUMENT PANEL J/B ASSEMBLY

(a) Measure the voltage according to the value(s) in the table below.

Instrument Panel Junction Block Assembly Back Side Wire Harness View:



H

E068613E02

Voltage

Tester connection	Condition	Specified condition
11-4 - Body ground	Always	10 to 14 V

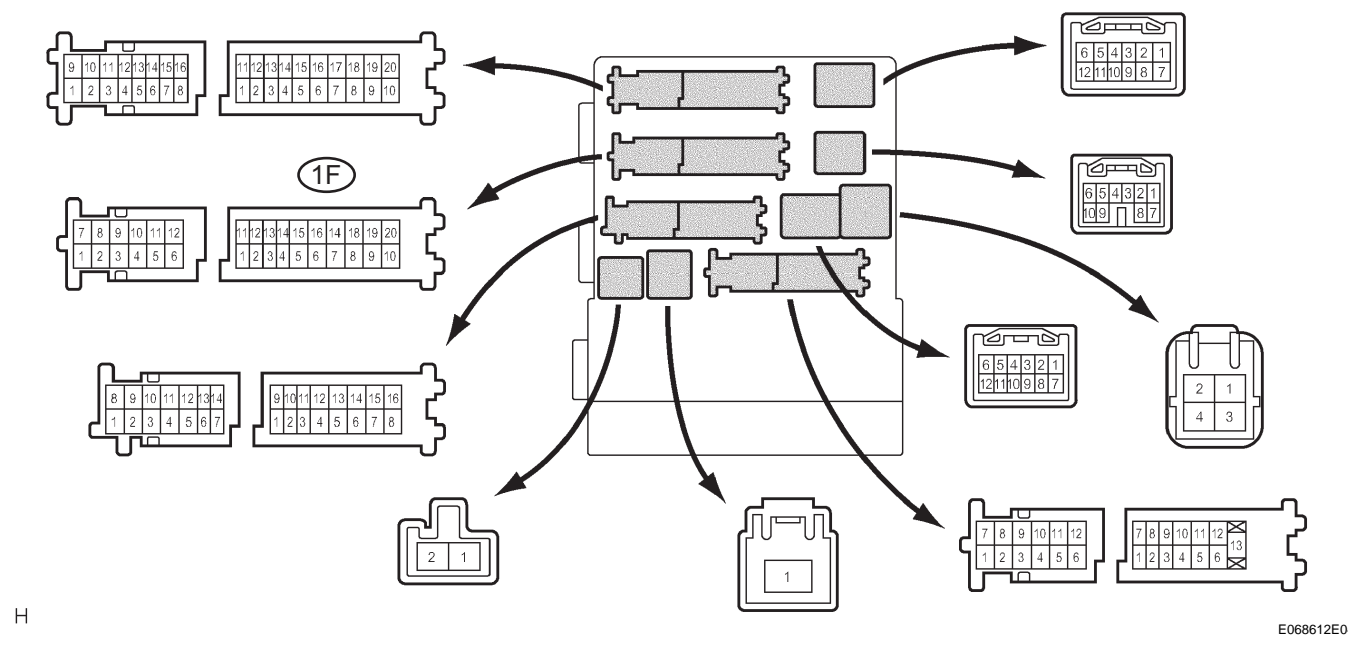
NG → **REPLACE INSTRUMENT PANEL J/B ASSEMBLY**

OK

7 CHECK HARNESS AND CONNECTOR (INSTRUMENT PANEL JUNCTION BLOCK ASSEMBLY - BODY GROUND)

- (a) Disconnect the 1F connector from the instrument panel junction block assembly.
- (b) Measure the resistance according to the value(s) in the table below.

Instrument Panel Junction Block Assembly Front Side Wire Harness View:



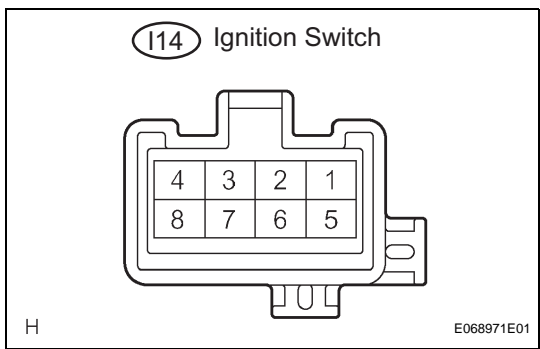
Resistance

Tester connection	Condition	Specified condition
1F-10 - Body ground	Always	Below 1 Ω

NG → REPAIR OR REPLACE HARNESS OR CONNECTOR

OK

8 INSPECT IGNITION SWITCH



- (a) Disconnect the ignition switch connector.
- (b) Measure the resistance according to the value(s) in the table below.

Resistance

Tester connection	Condition	Specified condition
2 - 3	Ignition switch OFF	10 kΩ or higher
2 - 4	Ignition switch OFF	10 kΩ or higher
2 - 3	Ignition switch ACC	Below 1 Ω
2 - 4	Ignition switch ON	Below 1 Ω

NG → REPLACE IGNITION SWITCH

OK

REPAIR OR REPLACE HARNESS OR CONNECTOR (INSTRUMENT PANEL JUNCTION BLOCK ASSEMBLY - IGNITION SWITCH)