

INSTALLATION

1. INSTALL SLIDING ROOF CABLE GUIDE CASING

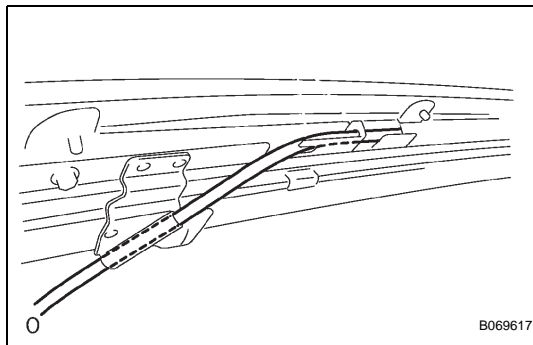
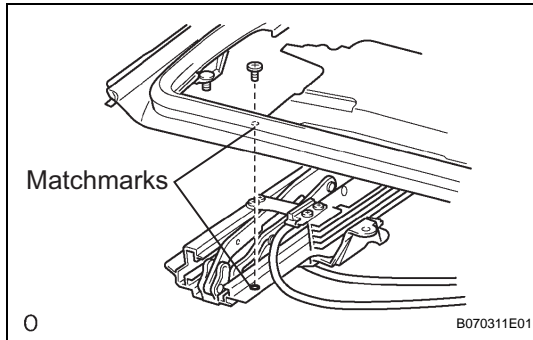
- Insert the sliding roof drive cable into the sliding roof cable guide casing, and then insert the cable guide casing together with the drive gear cable until the pipe of the casing touches the frame.

2. INSTALL SLIDING ROOF HOUSING CENTER FRAME

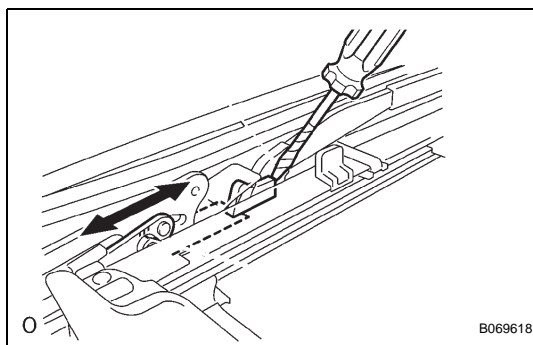
- Install the roof drip channel to the sliding roof drive cables RH and LH.
- Install the center frame with the 12 nuts.

3. INSTALL SLIDING ROOF HOUSING PANEL

- Install the sliding roof drive cables RH and LH to the sliding roof housing panel.
- Temporarily tighten the 16 mounting screws and 14 nuts for the sliding roof housing panel.
- Completely tighten the 16 mounting screws and 14 nuts for the sliding roof housing panel, and the 12 mounting nuts for the roof center frame.



- After the sliding roof housing panel is completely tightened, pass the sliding roof cable guide casing through the frames of the sliding roof drive cables RH and LH.



4. ADJUST FULLY CLOSED POSITION

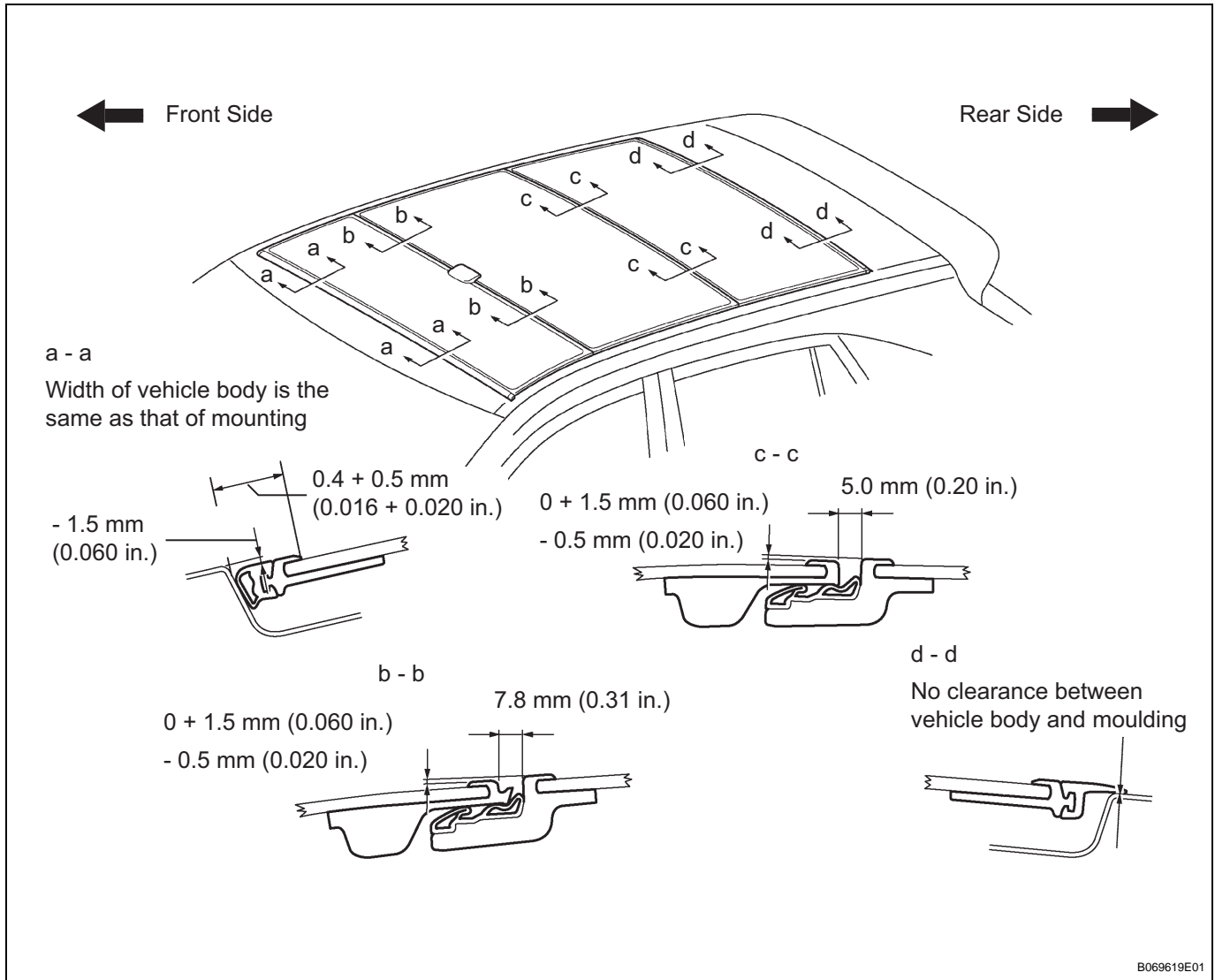
- Using a screwdriver, slide the drive cable of the sliding roof to align the matchmarks.

HINT:

Tape the screwdriver tip before use.

5. ADJUST SLIDING ROOF GLASS SUB-ASSEMBLY

- (a) Gradually adjust the sliding roof glass from the front side.

**6. INSTALL SLIDING ROOF GLASS SUB-ASSEMBLY**

- (a) Using a torx wrench (T25), install the glass with the 12 screws.

7. CHECK FOR ESTER LEAKS

- (a) Adjusting the sliding roof, check that there is no water leak.
If a leak is found, readjust the sliding roof.

8. RESET SLIDING ROOF POSITION

(See page [RF-4](#))

9. INSTALL ROOF HEADLINING ASSEMBLY

(See page [IR-13](#))